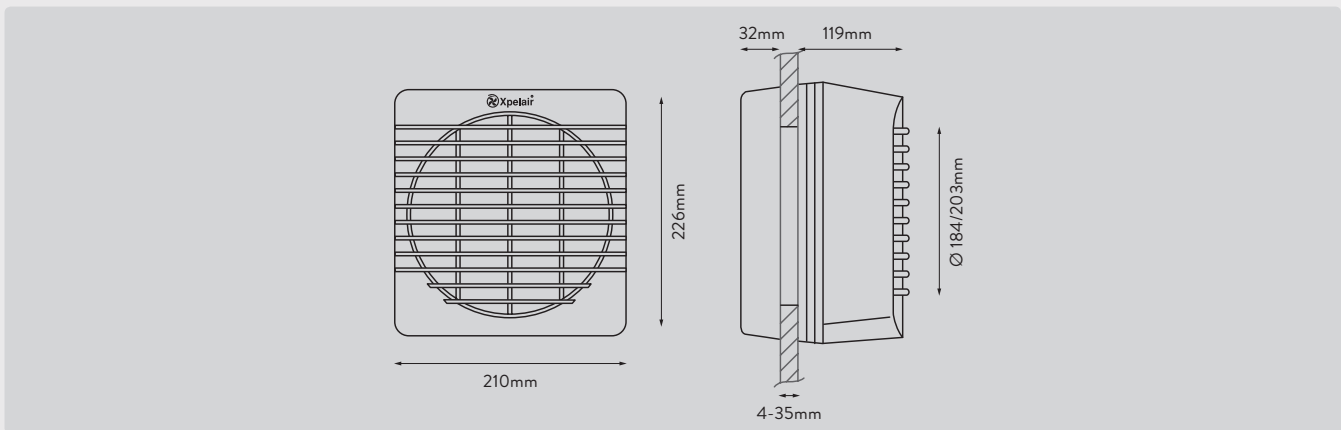
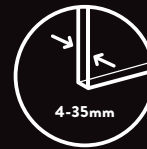


GX6 & GXC6

High performance extract fans

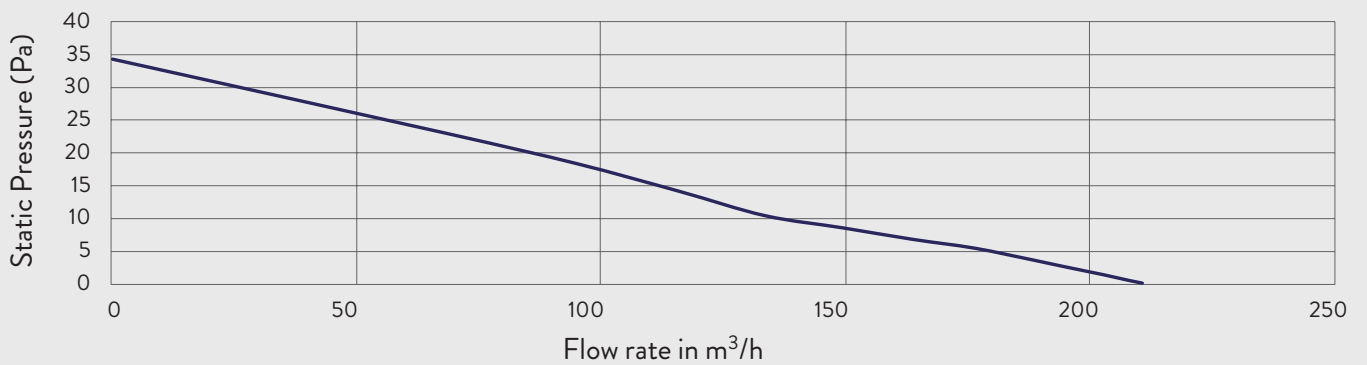


Xpelair GX models are purpose designed for use in kitchens and utility rooms and can be window or panel mounted as supplied, or wall mounted using an optional wall kit. GXC models have an integral pullcord actuator. Timer and humidistat versions are also available, along with multi-speed models, plus a trickle ventilation facility is available for background ventilation when not in use.



Product Features	GX6	GX6T	GX6HT	GX6HT2	GXC6	GXC6T
Reference Number	90800AW	90812AW	90814AW	90863AW	90850AW	90861AW
Standard	✓					
Timer (adjustable 20 – 30mins)		✓		✓		✓
Pullcord					✓	✓
Humidistat (50-90% RH)			✓	✓		
Reversible Intake/Extract				✓		
Silent Electro-thermal Shutter	✓	✓	✓	✓		
Safety Finger Guard	✓	✓	✓	✓	✓	✓
Window Kit Supplied	✓	✓	✓	✓	✓	✓

Product Selector	GX6	GX6T	GX6HT	GX6HT2	GXC6	GXC6T
Reference Number	90800AW	90812AW	90814AW	90863AW	90850AW	90861AW
Speeds	1	1	1	2	1	1
Electrical Power Rating (W)	29	29	29	29	27	27
Hole Diameter (mm)	184	184	184	184	184	184
Hole Diameter with Wall Liner (mm)	203	203	203	203	203	203
Weight (kg)	1.9	1.9	1.9	1.9	1.9	1.9
UK Guarantee (years)	2	2	2	2	2	2
Extract Performance (m ³ /h)	222	222	222	213/222	222	222
Extract Performance (l/s)	62	62	62	60/62	62	62
Sound Pressure Level (dBA@3m)	37	37	37	34/37	37	37



Product											
Static Pressure (Pa)	0	1.5	3.3	5.2	6.6	8.4	10.3	14.1	18.5	23.3	34.8
Flow Rate in m ³ /h	211.09	200.18	188.96	176.69	163.86	149.54	133.69	116.17	94.82	67.75	0

